

## BN11 Earth Tab Rivet

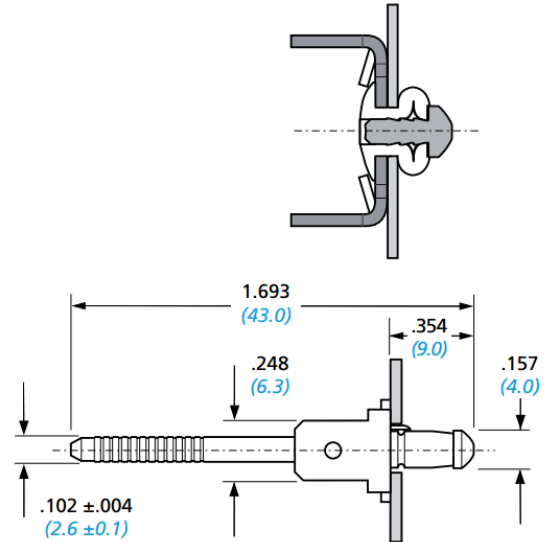
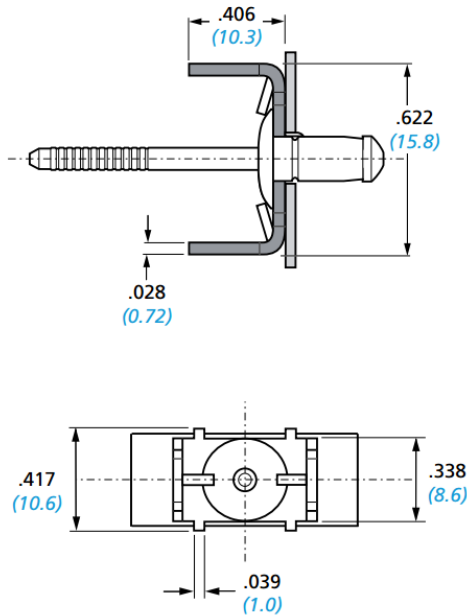
Steel body · Steel stem · Brass tab  
4.0 mm (5/32")

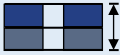

### Features

- Cost effective earthing point for thin sheet metal, with paint piercing capability to ensure good electrical conductivity
- Twin tabs allow one or two connections
- Fast installation of a one piece assembly
- Works on a single phase power supply of 240 volts or below
- Provides a resistance to or below 0.1 ohms
- Tested and approved to EN 60335-1 and BS 3456 Parts 201, clauses 27, 28, 31
- For 5.2 mm holes and a material thickness of 1.0 - 1.5 mm

### Material

- Body: Low carbon steel, zinc plated, clear trivalent passivated
- Stem: Medium carbon high tensile steel, zinc plated, clear trivalent passivated
- Tab: Brass



Part No.	Size ∅	 Grip Range		 Hole Size
	nom.	min.	max.	±0.05
OBN11-00509	4.0 (5/32")	1.0	1.5	5.2